

Sentinel

THE SMART POLE

SENTINEL Smart Pole is a multifunctional urban infrastructure element designed to integrate lighting, connectivity, safety, and digital services into a single, modular structure. It enhances public spaces through 360° illumination, smart control, and integrated urban technologies, supporting modern Smart City deployments.

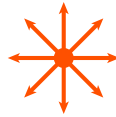
KEY BENEFITS



Four-sided 360° LED illumination



Decorative LED patterns integrated into the structure



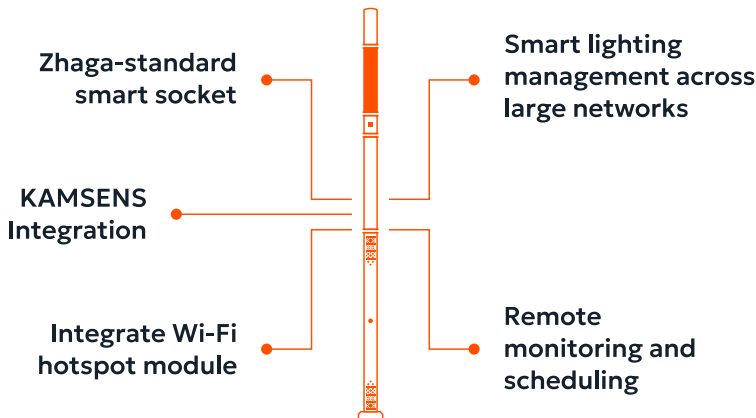
Uniform light distribution for enhanced safety



Low-power, high-efficiency LED engine



SMART CONTROL & CONNECTIVITY

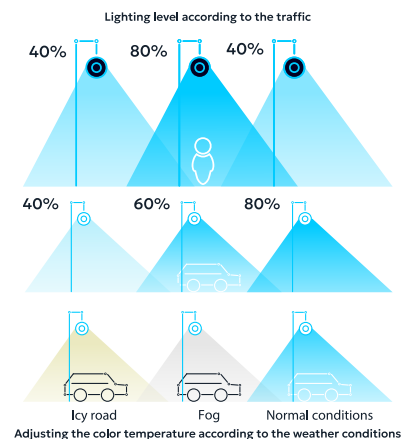
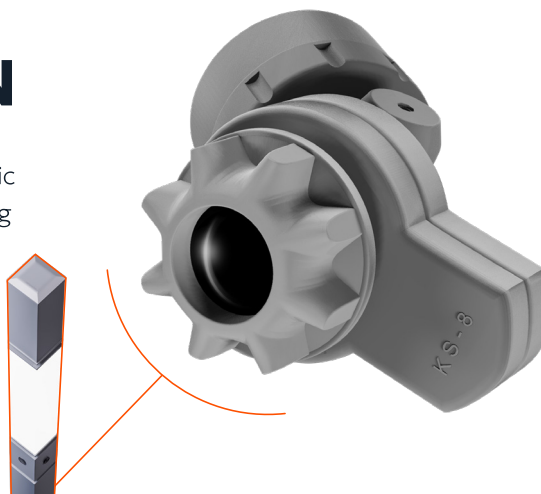


SAFETY & SECURITY

- Dual CCTV cameras mounted on opposite sides
- Continuous day & night monitoring
- Built-in emergency alarm button
- Integrated speakers for announcements and alerts

KAMSENS INTERGRATION

KAMSENS® analyzes weather and traffic in real time and instantly adjusts lighting for safety and efficiency. Connected to the Lighting AI platform, it adapts brightness and color temperature automatically - without requiring any additional infrastructure.



TECHNICAL SPECIFICATIONS

GENERAL

Product Type: Smart multifunctional lighting pole

Application: Streets, plazas, parks, pedestrian areas, smart city infrastructure

Structure: Modular, multifunctional design

CONNECTIVITY & SMART FEATURES

2 integrated cameras

Integrated speaker modules

Emergency button with alert triggering

Wi-Fi hotspot module

Zhaga-compatible controller

DIMENSIONS

Total height: 6000 mm

Lower body: 2729 mm

Mid-section: 1365 mm

Upper lighting section: 952 mm + 530 mm

Base footprint: 345 × 345 mm

LIGHTING SYSTEM

360° four-sided LED

High-efficiency LED modules

Control interface: Zhaga

Decorative lighting: RGB LED sections

Adjustable for city branding or ambiance

MATERIALS & CONSTRUCTION

Material: High-grade aluminum

Finish: Durable outdoor coating

Corrosion resistance: Yes

Designed for: Extreme temperatures, Demanding outdoor environments

Maintenance: Integrated access door

ELECTRICAL & POWER

High-voltage socket: 2 kW

Wireless charging: Integrated mobile charging pad

Power distribution: Internal protected wiring

Energy efficiency: Optimized low-power operation

Designed for Smart City integration

Compatible with Zhaga ecosystem

Suitable for public urban infrastructure

IP-rated electronic compartments

COMPLIANCE & STANDARDS

